

EDBAK Prowall



Protective walls

Our company, EDBAK, introduces a new solution that guarantees safety in places with large numbers of customers.

Prowall is designed to completely separate the employees from the customers and to ensure maximum safety by covering the largest area possible.

The Prowall series is a follow-up of the proven and successful Proscreen system.



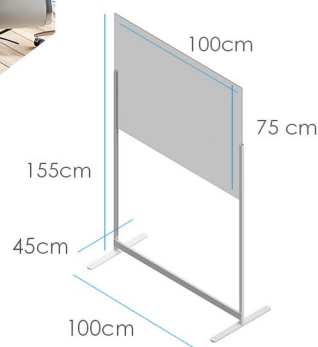
Prowall 1

Dedicated to: working stations, courts, offices

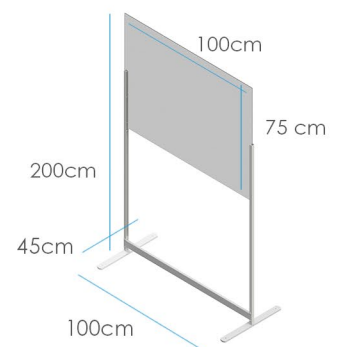
Advantages:

- available in the form of a stand
- safe and transparent plexiglass
- plexiglass sizes (WxHxD): 100cm x 75cm x 0.4cm
- stable construction
- easy to set up
- reliable quality
- colour: titanium silver

Prowall 1 is available in the following sizes:



Prowall 1.155



Prowall 1.200

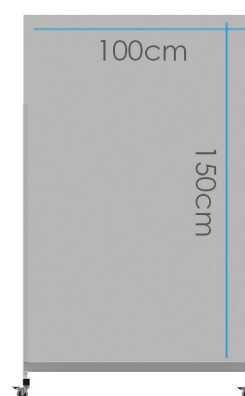
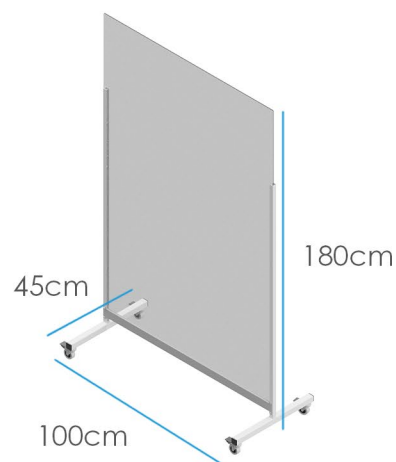


Prowall 2

**Dedicated to: restaurants, beauty salons
or hairdressers, production facilities**

Advantages:

- available in the form of a trolley
- covers a large area
- plexiglass sizes (WxHxD): 100cm x 150cm x 0.4cm
- a mobile wall
- safe and transparent plexiglass
- wheels with brakes
- easy to set up
- reliable quality
- colour: titanium silver



Prowall 2

Contact us now! sales@edbak.com

Edbak sp. z o.o.
Piotrowice 186
23-107 Strzyżewice, Poland
www.edbakproav.com
Phone: +48 81 562 81 19
E-mail: sales@edbak.com

Follow us:








*The product does not guarantee complete protection against the virus

EDBAK is a leading European manufacturer of innovative LCD screens and projector mounting systems. For 25 years already, we have offered, among other things, professional mounts for flat screens and monitors, conference trolleys and stands, multi-monitor video walls, totems, kiosks, POS holders and tablet mounts, and many, many others. Our products all have the most important quality certificates, including those issued by TÜV, ISO, AVIXA. All of our products are designed and manufactured from the very beginning until completion in Poland.